

Sourcing of products related to SoftStop® System Impact Head Installations utilizing hex drive drill with Winch Plate Assembly technique.

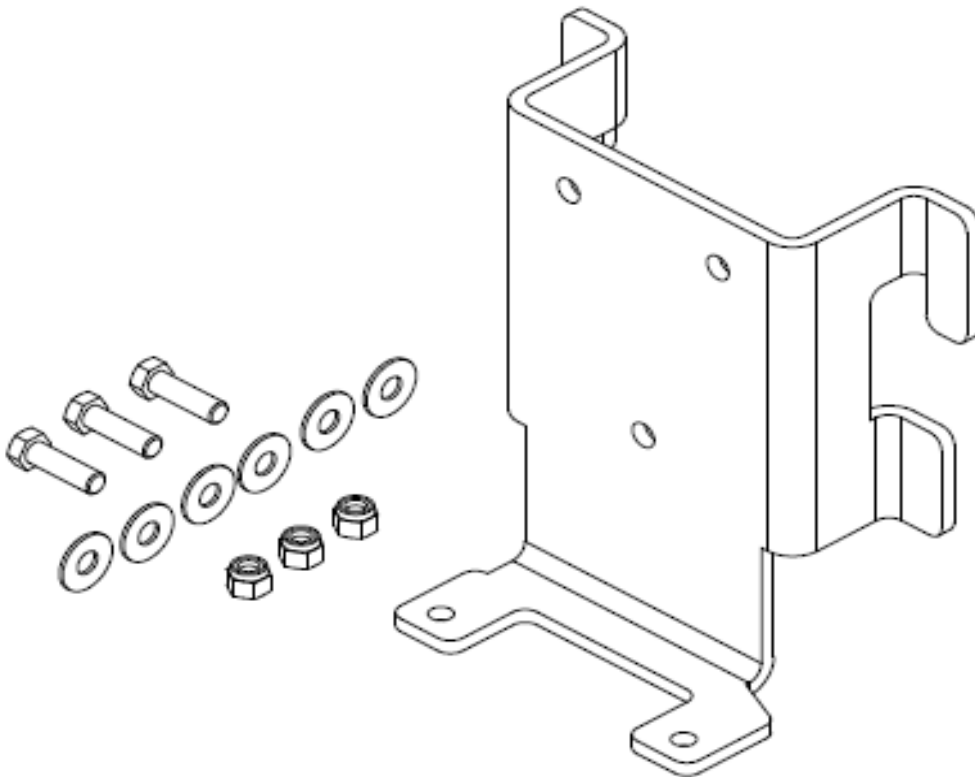
Order one (1) each of the following items:

- Dutton-Lainson 1Ton Hex Drive Winch = \$124.85 :
[https://www.amazon.com/Dutton-Lainson \(WG2000HEX-Winch-Drive\) 1T](https://www.amazon.com/Dutton-Lainson (WG2000HEX-Winch-Drive) 1T)
 - Ranger 2T Snatch Block = \$9.99 :
<https://www.amazon.com/UltraRanger-Commercial-Reliability-Snatch 2T>
 - Stainless Steel 3/8" Quick Link = \$10.51 :
[https://www.amazon.com/Stainless-Steel-MarineGrade 3/8" Quick Link](https://www.amazon.com/Stainless-Steel-MarineGrade 3/8)
 - 1/4" Clevis Slip Hook = \$10.75 :
[https://www.amazon.com/NationalManf\(N177\) 1/4" Clevis Slip Hook](https://www.amazon.com/NationalManf(N177) 1/4)
 - BASIKER 4-7/8" Hawse Fairlead 4T = \$16.99 :
<https://www.amazon.com/BASIKER Fairlead for Synthetic 2T>
 - 5/16" Clevis Grab Hook = \$11.36 :
[https://www.amazon.com/Forney \(61041\) 5/16" Clevis Grab Hook](https://www.amazon.com/Forney (61041) 5/16)
 - STEGODON 1/4"x50'L Synthetic 5T WinchRope w/sleeve = \$30.99 :
[https://www.amazon.com/STEGODONSyntheticWinchRope 5/16" x 50'L](https://www.amazon.com/STEGODONSyntheticWinchRope 5/16)
 - **PN 627797 from Trinity Highway, Plant #577**
-

- Contractor to provide/utilize a 1/2" drive drill, 18V minimum, if cordless.



PARTS LIST			
ITEM	STOCK NO.	DESCRIPTION	QTY.
1	627796	BRACKET,SOFTSTOP,WINCH	1
2	627798	HARDWARE KIT,WINCH BRACKET,SOFTSTOP	1



MATERIAL: SEE PARTS LIST	
FORM: N/A	
EST SURFACE AREA:	N/A
EST UNFINISHED WT.:	6.27 lbs

NOTES:
1. SHIP HARDWARE IN BAG, NOT INSTALLED.

DESIGNED BY: D. Hayes Jr	DATE: 8/28/2020
CHECKED BY: K. Looney	DATE: 9/1/2020

TOLERANCES PER
THP-SF-001, UNLESS
OTHERWISE SPECIFIED.

DO NOT SCALE DRAWING

WINCH BRACKET ASSY,SOFTSTOP



Revision	ECO	Date	Rev	By	Chk.
INITIAL RELEASE	7372	-	-	-	-

	PART NO. 627797	P/C -	SHEET 1 of 1
--	-----------------	-------	--------------

© 2020 Trinity Highway Products, LLC. All rights reserved.